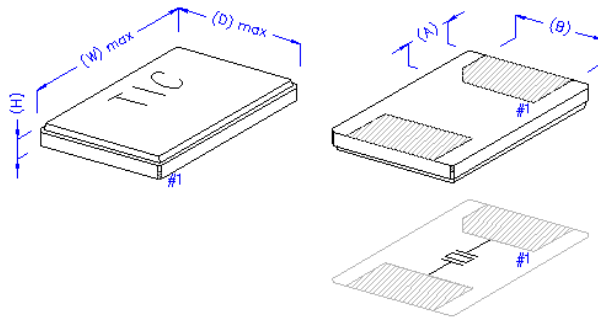


- Two Types for different size of product
- Light weight and low profile
- High density mounting type
- Excellent reliability and environmental characteristics
- Suitable for various applications and miniature equipment



|   | 60352 | 50322 |
|---|-------|-------|
| W | 6.02  | 5.02  |
| D | 3.53  | 3.4   |
| H | 1.0   | 1.0   |
| A | 1.5   | 1.35  |
| B | 2.2   | 2.2   |

### Standard Parameter

|                                | 60352                        | 50322                   |
|--------------------------------|------------------------------|-------------------------|
| Frequency Range                | 10.000 MHz ~ 32.000 MHz      | 10.000 MHz ~ 32.000 MHz |
| Frequency Tolerance (at 25 °C) | ±10ppm / ±20ppm / ±30ppm     |                         |
| Load Capacitance               | 12pF / 20pF / upon request   |                         |
| Frequency Stability            | ±10ppm / ±30ppm / ±50ppm     |                         |
| Operating Temperature Range    | -20 °C ~ +70 °C              |                         |
| Storage Temperature Range      | -40 °C ~ +85 °C              |                         |
| Equivalent Resistance          | Refer to the following table |                         |
| Shunt Capacitance              | 7 pF max                     |                         |
| Drive Level                    | 100 μW max                   |                         |
| Insulation Resistance          | 500MΩ min at DC100V ±15V     |                         |
| Aging (at 25 °C per year)      | ±5ppm                        |                         |

### Equivalent Series Resistance

| Frequency Range         | Mode of Oscillation | Series Resistance |       |
|-------------------------|---------------------|-------------------|-------|
|                         |                     | 60352             | 50322 |
| 10.000 MHz ~ 11.999 MHz | Fundamental         | 80 Ω              |       |
| 12.000 MHz ~ 15.999 MHz |                     | 60 Ω              |       |
| 16.000 MHz ~ 19.999 MHz |                     | 40 Ω              |       |
| 20.000 MHz ~ 32.000 MHz |                     | 30 Ω              |       |