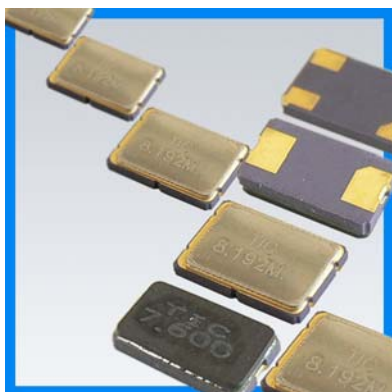


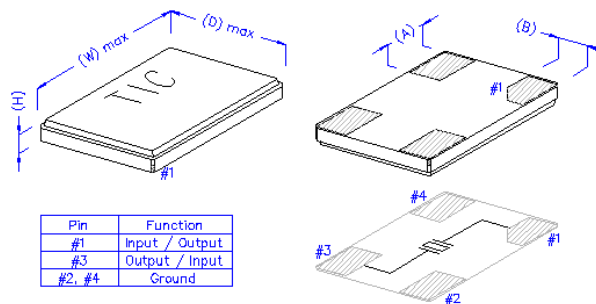
Crystal Unit



SMD Chip Type (4 Pads)



- Five Types for different size of product
- Light weight and low profile
- High density mounting type
- Excellent reliability and environmental characteristics
- Suitable for various applications and miniature equipment



	70504	60354	50324	40254	32254
W	7.0	6.02	5.02	4.0	3.2
D	5.0	3.53	3.4	2.5	2.5
H	1.1	1.0	0.9	0.7	0.65
A	1.2	1.3	1.3	0.9	0.8
B	1.0	0.85	0.85	0.8	0.7

Standard Parameter

	70504	60354	50324	40254	32254
Frequency Range	6.000 MHz ~ 100.000 MHz	8.000 MHz ~ 48.000 MHz	10.000 MHz ~ 40.000 MHz	12.000 MHz ~ 40.000 MHz	16.000 MHz ~ 40.000 MHz
Frequency Tolerance (at 25 °C)	±10ppm / ±20ppm / ±30ppm				
Load Capacitance	12pF / 20pF / upon request				
Frequency Stability	±10ppm / ±30ppm / ±50ppm				
Operating Temperature Range	-20 °C ~ +70 °C / -40 °C ~ +85 °C				
Storage Temperature Range	-40 °C ~ +85 °C / -55 °C ~ +125 °C				
Equivalent Resistance	Refer to the following table				
Shunt Capacitance	7 pF max				
Drive Level	100 μW max				
Insulation Resistance	500MΩ min at DC100V ±15V				
Aging (at 25 °C per year)	±5ppm				

Equivalent Series Resistance

Frequency Range	Mode of Oscillation	Series Resistance					
		70504	60354	50324	40254	32254	
6.000 MHz ~ 7.3728 MHz	Fundamental	100 Ω					
7.3729 MHz ~ 7.999 MHz		80 Ω					
8.000 MHz ~ 9.999 MHz		60 Ω	100 Ω				
10.000 MHz ~ 11.999 MHz		50 Ω	80 Ω	100 Ω			
12.000 MHz ~ 13.000 MHz		50 Ω	80 Ω	80 Ω	80 Ω	80 Ω	
13.001 MHz ~ 13.999 MHz		50 Ω	50 Ω	80 Ω	80 Ω	80 Ω	
14.000 MHz ~ 15.999 MHz		40 Ω	40 Ω	60 Ω	80 Ω	80 Ω	
16.000 MHz ~ 19.999 MHz		40 Ω	40 Ω	50 Ω	50 Ω	50 Ω	
20.000 MHz ~ 29.999 MHz		40 Ω	40 Ω	50 Ω	50 Ω	50 Ω	
30.000 MHz ~ 40.000 MHz		40 Ω	40 Ω	40 Ω	50 Ω	50 Ω	
40.001 MHz ~ 48.000 MHz		40 Ω	40 Ω	40 Ω	40 Ω	40 Ω	
40.000 MHz ~ 48.000 MHz		3 rd Overtone	80 Ω	80 Ω	80 Ω		
48.001 MHz ~ 100.000 MHz			80 Ω	100 Ω	100 Ω		