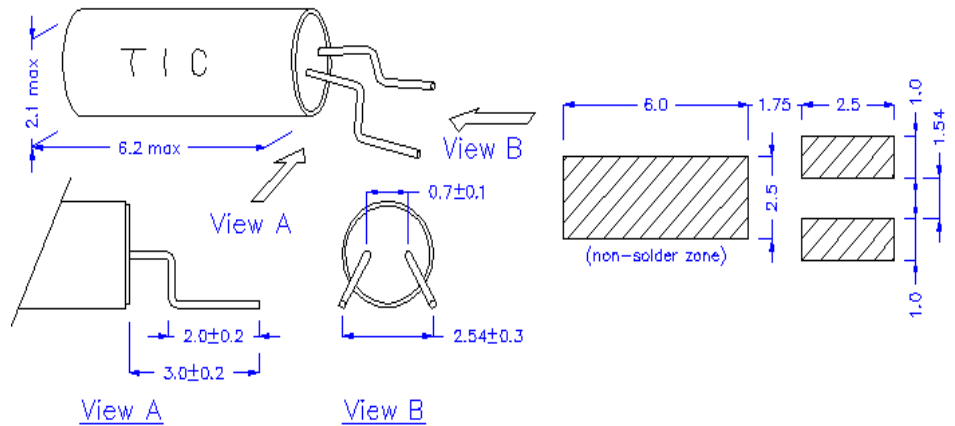




- Dip Type SMD with embossed tape
- Low current consumption
- Suitable for clock source in digital equipment



Standard Parameter

	206SMB
Frequency Range	32.768 KHz
Frequency Tolerance (at 25 °C)	±10ppm / ±20ppm
Load Capacitance	12.5pF / upon request
Operating Temperature Range	-10 °C ~ +60 °C
Storage Temperature Range	-20 °C ~ +70 °C
Equivalent Resistance	50kΩ
Shunt Capacitance	1.3 pF max
Drive Level	1 μW max
Insulation Resistance	500MΩ min at DC100V ±15V
Aging (at 25 °C per year)	±5ppm

Standard Parameter

	206SMB
Frequency Range	32.000 KHz ~ 75 KHz
Frequency Tolerance (at 25 °C)	±20ppm
Load Capacitance	12.5Pf
Operating Temperature Range	-10 °C ~ +60 °C
Storage Temperature Range	-20 °C ~ +70 °C
Equivalent Resistance	50kΩ
Shunt Capacitance	1.3 pF max
Drive Level	1 μW max
Insulation Resistance	500MΩ min at DC100V ±15V
Aging (at 25 °C per year)	±5ppm